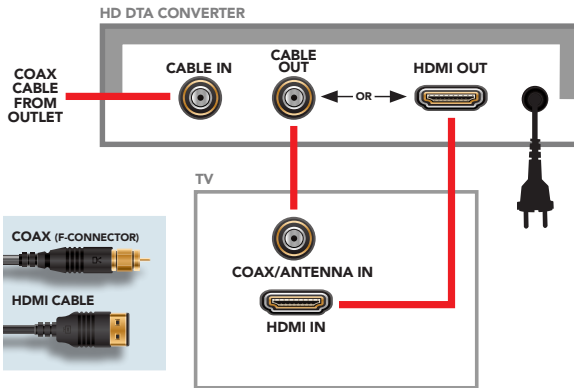


HD DTA CONVERTER CONNECTIONS



The preferred connection for your HD DTA is through an HDMI cable. It will provide the best high-definition picture and Dolby Digital sound. You may also use a Coax cable for standard-definition picture and stereo sound.



Visit
buckeyebroadband.com
for additional information.

419.724.9800 • NW Ohio/SE Michigan
419.627.0800 • Erie County

CONVERTER CONNECTION GUIDE



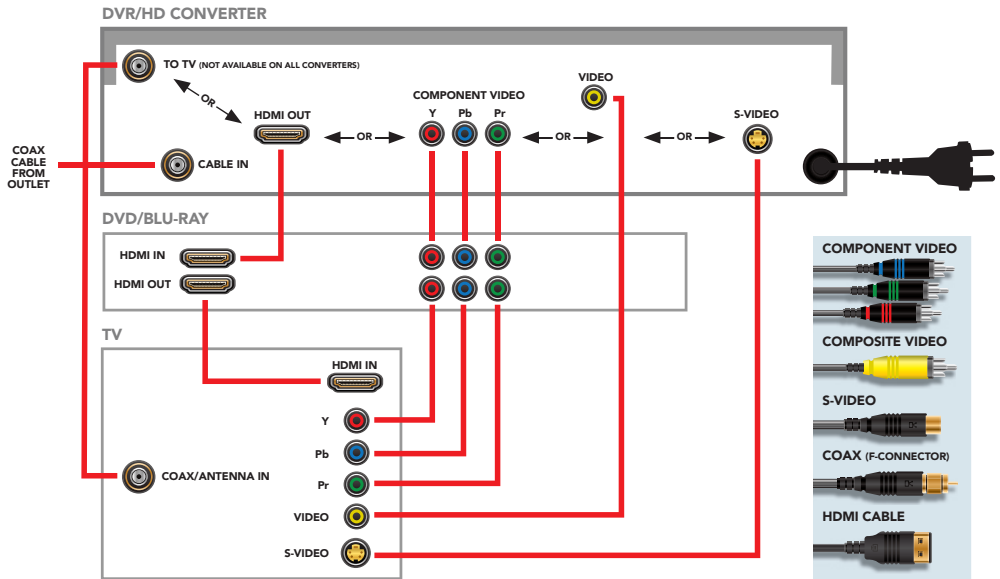
This document has attempted to include the most recent and accurate information as of the date of publication, it is subject to change without notice.

DVR/HD CONVERTER VIDEO CONNECTIONS

VIDEO CONNECTIONS

HDMI and Component Cables will provide the best quality HD picture. Composite or S-Video will provide a clear picture, but it will not be high-definition.

Note: You may also use a Coax Cable for standard-definition picture and stereo sound.



DVR/HD CONVERTER AUDIO CONNECTIONS

AUDIO CONNECTIONS

For the best possible picture and sound quality, we recommend using the HDMI cable that comes with your converter. If your TV does not support HDMI, you may use Optical Audio for high-quality Dolby Digital sound or Composite Cables for stereo sound.

Note: You may also use a Coax Cable for standard-definition picture and stereo sound.

